

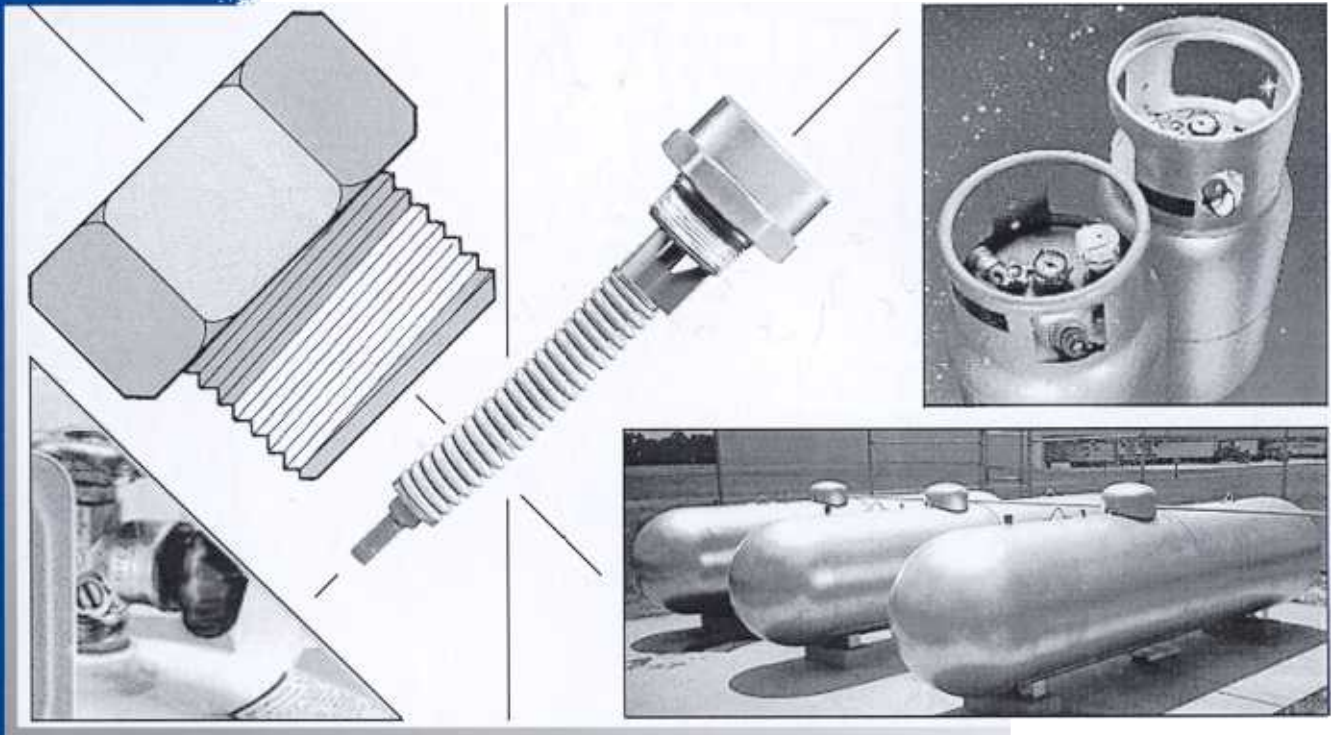
**Federal
Process
Corporation**

The Professional Edge

Everseal™ 183

Pre-Applied Liquid Sealant

UL® Approved for LP Gas Systems



Features:

UL® Approved in both the US and Canada for Propane, Butane and LP Gas Applications

Increases Quality and Performance

- Reduces Leaks and Improves Reliability
- Inhibits Thread Corrosion both in Storage and in Use
- Resists Vibrational Loosening
- Prevents System Contamination

Reduces Costs

- Reduces Rejection Rate Caused by Leaks
- Eliminates 'Touch ups' and Re-coating due to its Tough, Resilient Coating Properties
- Eliminates the need to Re-apply - Can be Re-inserted up to 8 Times Without Re-coating
- Reduces Application Costs when Used in Conjunction with the ECS II Application Machine

Competitive Advantage

- Easily Recognized Blue Color indicates the Fitting is Ready for Leak-Proof Installation and Service
- Allows for Control of the Sealant Application Eliminating Field Installation Problems
- Adds Value to Fittings and Increases Product Recognition

4620 Richmond Rd.
Cleveland, OH 44128
Tel: (216) 464-6440
Fax: (216) 464-2080
(800) 846-SEAL (7325)

PRODUCT SPECIFICATIONS

Everseal 183 Physical Properties

Viscosity.....~ 27,000 cps
Color.....Blue
Specific Gravity.....1.30 ± 0.05 @ 77° F
Operating Temperature Range.....- 65° F to + 265° F
Dry Film Properties.....Tough Coating
Shelf Life.....1 Year
Clean up (uncured).....Soap and Water
(cured).....Methanol

Resistance:

Solvents:

Water @ 200° F.....No Leakage
Propane @ 77° F.....No Leakage
Butane @ 77° F.....No Leakage

Pressure:

½" NPT to 10,000 psi
3" NPT to 3,000 psi

Application:

Can be applied directly from the container by brush or automatically applied using the Everseal Coating System (ECS II).

Drying Time (to touch):

| <u>Temp. ° F</u> | <u>Air Flow cfm</u> | <u>Time</u> |
|------------------|---------------------|--------------|
| 150 | 500 | 15 - 20 min. |
| 75 | 500 | 20 - 45 min. |
| 75 | 0 | 2 - 4 hrs. |

Approvals:

UL® Approved in both the US and Canada for use in Propane, Butane and LP Gas systems

WARRANTY

FEDERAL PROCESS CORPORATION products are warranted against defects in workmanship and materials. No party is authorized to extend any other warranty. No warranty for merchantability or fitness for a particular purpose shall apply. No warranty claims will be allowed unless the product in question is received freight prepaid at the Federal Process Corporation. All warranty claims are limited to replacement at no charge to the customer. Federal Process Corporation is not liable for any damage of any sort, including incidental and consequential damages.

Federal Process Corporation • 4620 Richmond Road • Cleveland, Ohio 44128
Tel: (216) 464-6440 • Toll-Free: 1-800-846-SEAL (7325) • Fax: (216) 464-2080